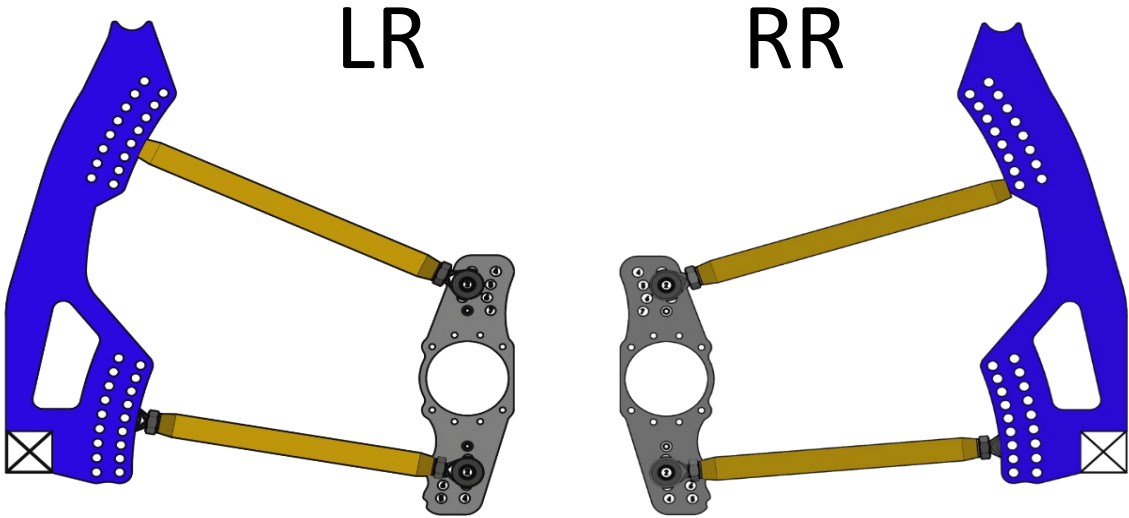


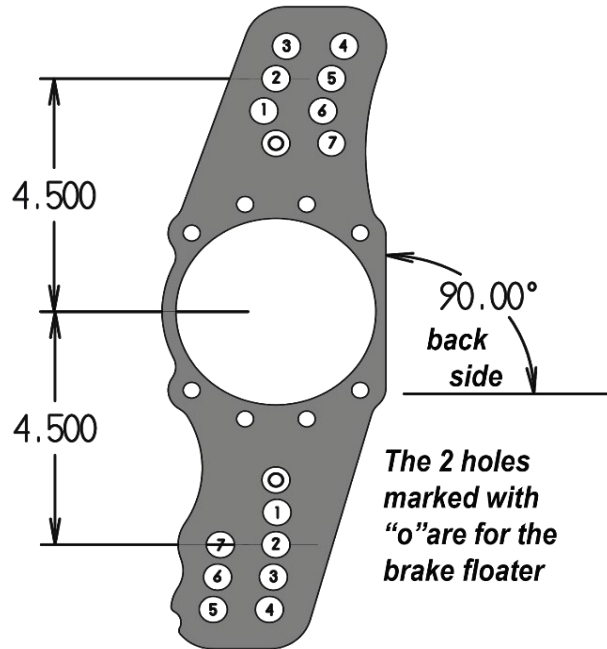
# 4 Bar Setup



4 Bar Setting			
LR		RR	
UPPER ANGLE			
Static	Hike	Static	Hike
LOWER BAR			
Static	Hike	Static	Hike
BAR LENGTH			
LR		RR	
Upper	Lower	Upper	Lower
Drop			

Part History					
Part Name:	Right	Left	Age R:	Age L:	Brand:
Lowers:					
Ball Joint Lower:					
Ball Joint Upper:					
Upper A-Arm:					
Spindle:					
Front Brake Pads:					
Pull Bar Spring:					
Birdcages:					
Rodends:					
Brake Floater:					
Spring Slider:					
Rear Brake Pads:					
Spring Sliders					

ZERO INDEXING	
Pos	Used For
0	Brake Floater
2	Standard Hole
5	Zero Index
7	Money Hole
Lower Holes	
0	Brake Floater
2	Standard Hole
5	Zero Index
7	Zero Index



Pull Bar	
Angle:	
Length:	
Spring Rate:	
Travel:	
Location:	
Perload:	